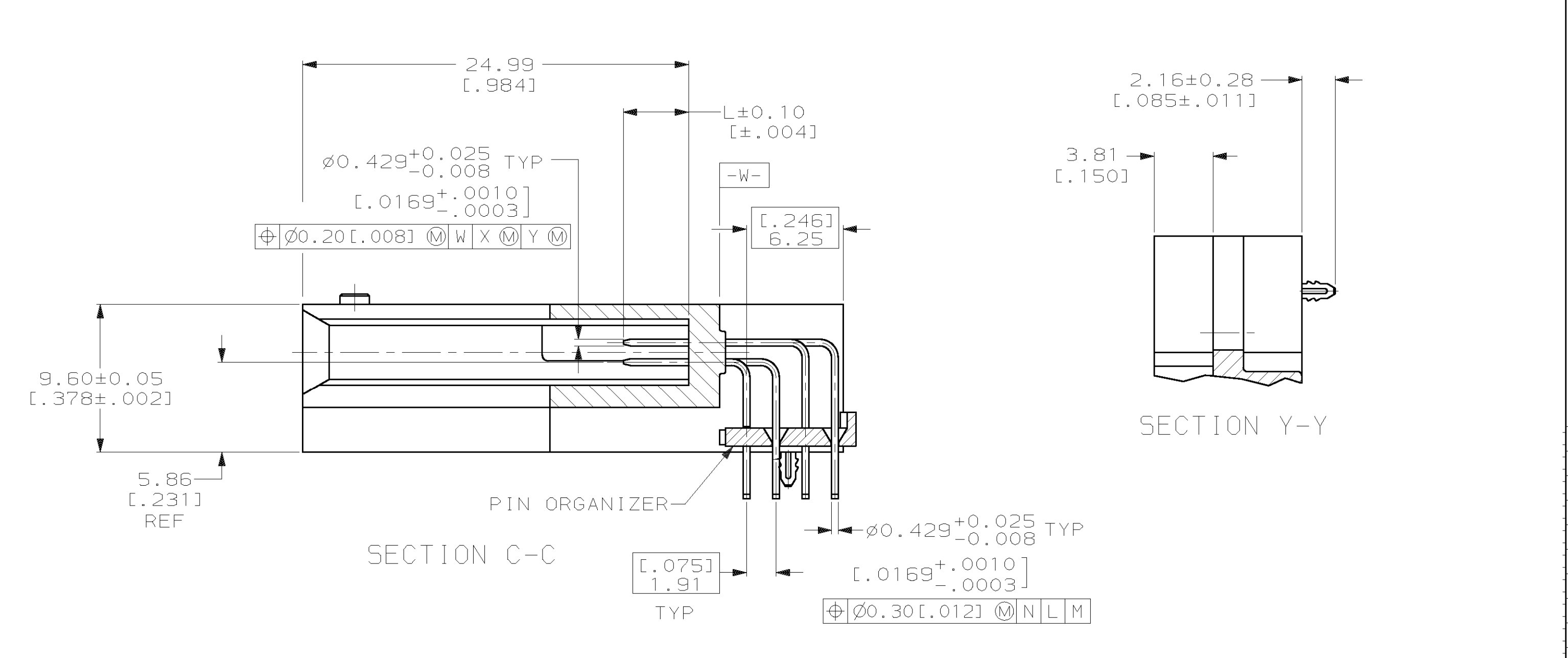
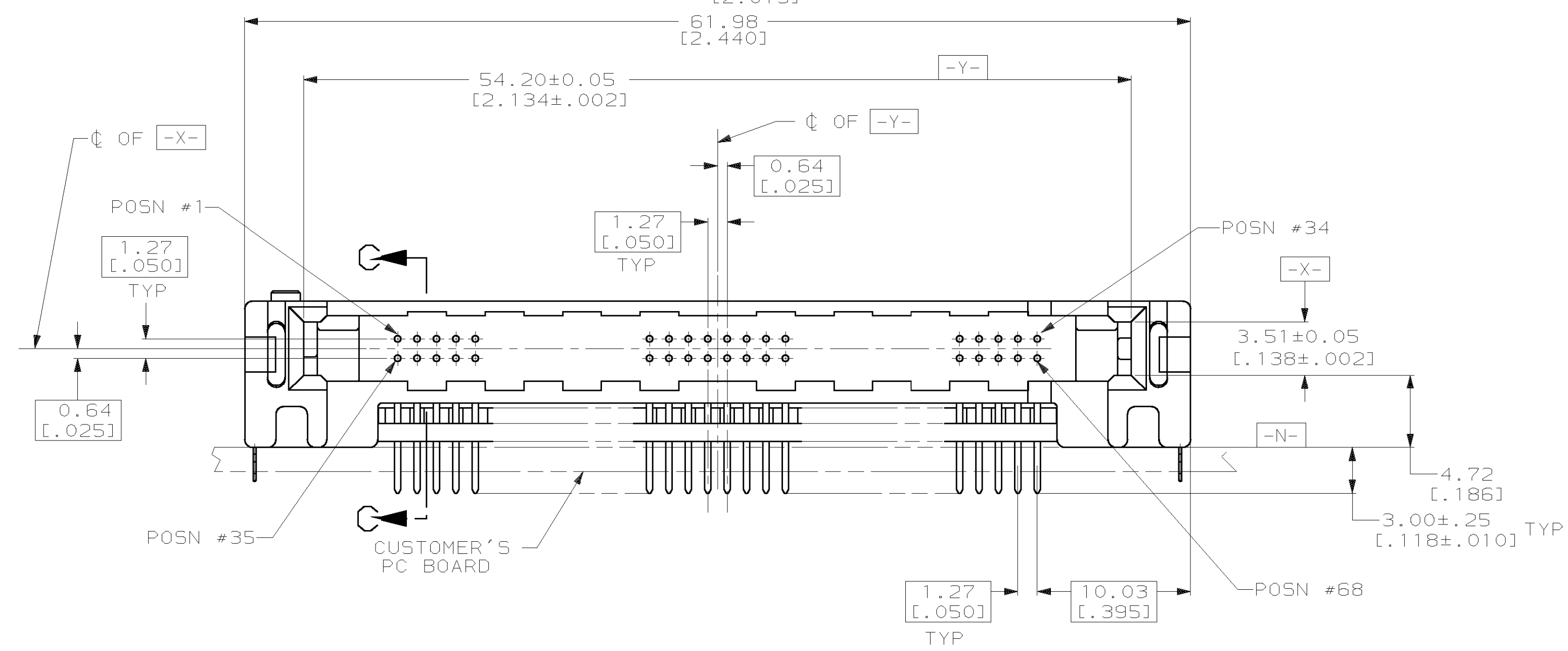
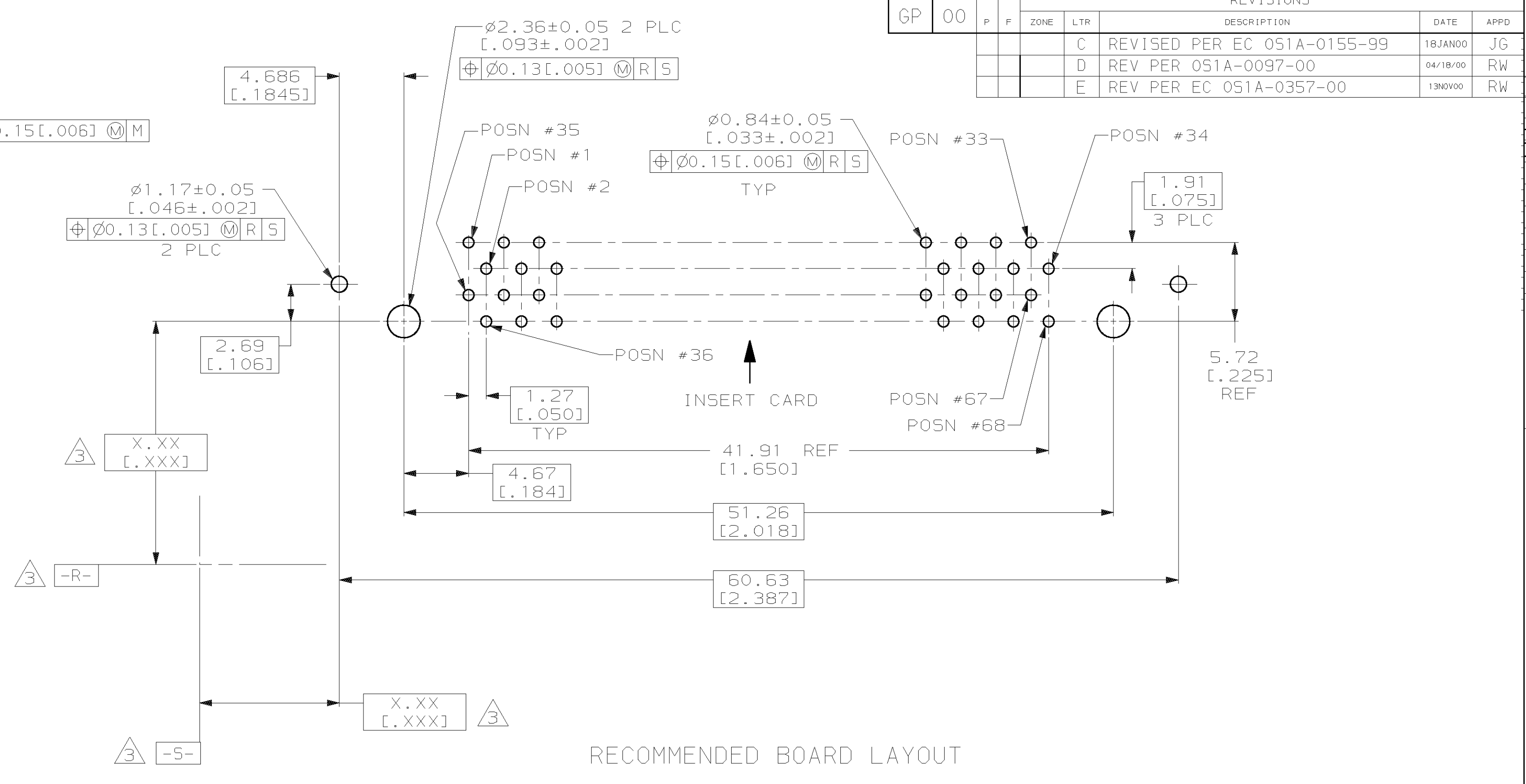
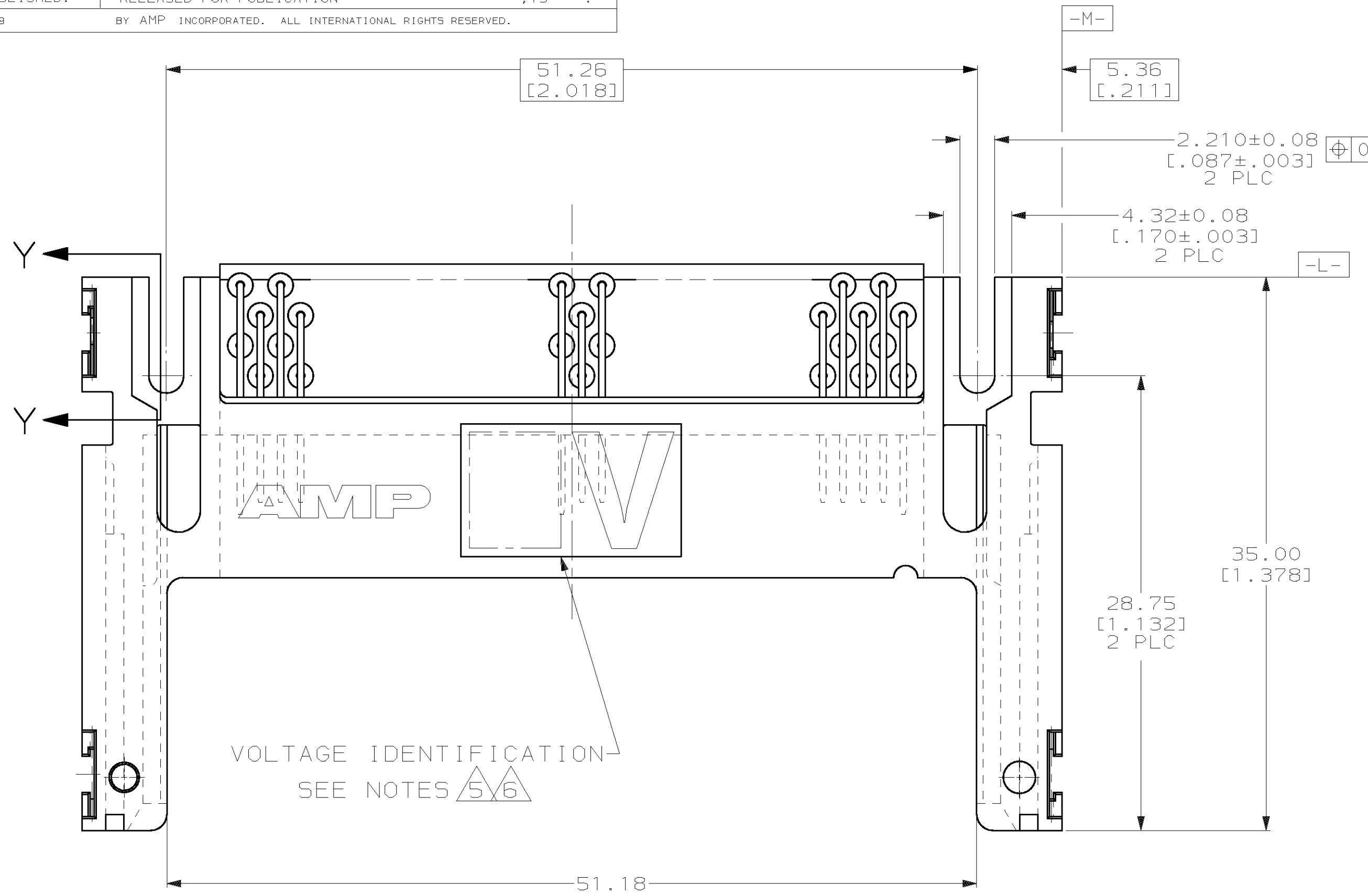


LOC	DIST	P	F	ZONE	LTR	DESCRIPTION	DATE	APPD
GP	00							
					C	REVISED PER EC 051A-0155-99	18JAN00	JG
					D	REV PER 051A-0097-00	04/18/00	RW
					E	REV PER EC 051A-0357-00	13NOV00	RW



1 0.00076 [0.000030] MINIMUM GOLD IN CONTACT AREA, 0.00381 [0.000150] MIN TIN-LEAD ON SOLDER TAILS, ALL OVER 0.00127 [0.000050] MINIMUM NICKEL

2 CUSTOMER TO PROVIDE CARD GUIDANCE SYSTEM

3 DATUMS AND BASIC DIMENSIONS ESTABLISHED BY CUSTOMER

4 CONNECTOR REQUIRES USE OF 2 - SIZE 2M SCREWS FOR FASTENING TO PRINTED CIRCUIT BOARD

5 ASSEMBLY KEYED FOR 5 VOLT CARDS

6 ASSEMBLY KEYED FOR LOW VOLT CARDS (3.3V)

VOLTAGE KEYING & IDENTIFICATION	1, 17, 34	ALL OTHER PINS	36, 67	535659-2
	35, 51, 68	ALL OTHER PINS	36, 67	535659-1
"L" (PIN LENGTH) AND LOCATION	5.0	4.25	3.5	
	[0.197]	[0.167]	[0.138]	

DO NOT SCALE PRINT. UNLESS SPECIFIED DIMENSIONS IN mm [INCHES] TOLERANCES ON: 2 PLC DEC ± 0.13 [0.005] 3 PLC DEC ± - ANGLES ± -	DR 3/8/93 J MOSER	AMP AMP Incorporated Harrisburg, PA 17105-3608 NAME PIN HEADER ASSY, 68 POSN, RAISED HT, TOP BD MTG, THRU-HOLE, WITH HOLD-DOWNS, AMP MEMORY CARD
MATERIAL: HOUSING & ORGANIZER: LCP, COLOR: BLACK; PIN: BRASS; HOLD-DOWN: PHOPHOR BRONZE; FINISH	CHK 3/8/93 B ELICKER	
PIN: 1	APPD 3/8/93 B ELICKER	
HOLD-DOWN: TIN PLATED	APPD 3/8/93 B FLINCHBAUGH	
	PRODUCT SPEC -	SIZE D
	APPLICATION SPEC -	CAGE CODE 00779
	WEIGHT 8.5 GRAMS	DRAWING NO. C-535659
		SCALE 4:1
		SHEET 1 OF 1

THIS DRAWING IS A CONTROLLED DOCUMENT FOR AMP INCORPORATED. IT IS SUBJECT TO CHANGE AND THE CONTROLLING ENGINEERING ORGANIZATION SHOULD BE CONTACTED FOR THE LATEST REVISION.